

PERCUTANEOUS ACCESS SHEATH FOR THE SURGICAL TREATMENT OF URINARY LITHIASIS

INVENTION DESCRIPTION

Urinary lithiasis or urinary calculi is a disease with a high incidence in developed and emerging countries, which has a high healthcare (material and human) and labour costs.

The use of percutaneous access sheaths for the surgical treatment of urinary lithiasis is a widely known technique. However, the conventional sheaths have several disadvantages, such as the friction that makes the edge of the conventional access sheath with the flexible nephroscope or the risk of the sheath when it migrates into the patient.

The experience of inventors in the management of urolithiasis has boosted the development of the present invention. This Utility Model consists of a disposable percutaneous access sheath provided with an

improvement: a funnel-shaped segment attached to the front end of the sheath that prevents its migration into the patient, reduces the friction with the endoscopic material and allows an easy introduction of the surgical material.

Employing this improved percutaneous access sheath will reduce part of the actual costs associated with the management of this disease, resulting in a tool as much useful as necessary in the field of urinary lithiasis.

It can be manufactured in different diameters and lengths, depending on the endoscopic equipment used.

BUSINESS APPLICATION SECTORS

Manufacturing companies of consumables for percutaneous surgery in renal lithiasis

Manufacturing companies of medical and/or surgical material/equipment

Plastic companies

TECHNICAL ADVANTAGES AND BENEFITS

The invention proposed here has the following advantages:

- It prevents friction with the flexible nephroscopy and extends its average life cycle.
- It allows easy introduction of the surgical material used, both rigid and flexible.
- It prevents migration of the sheath into the patient's body.

DEVELOPMENT STATUS OF TECHNOLOGY

A prototype has been manufactured in order to be used in experimental models with a high degree of satisfaction.

INTELLECTUAL PROPERTY RIGHTS

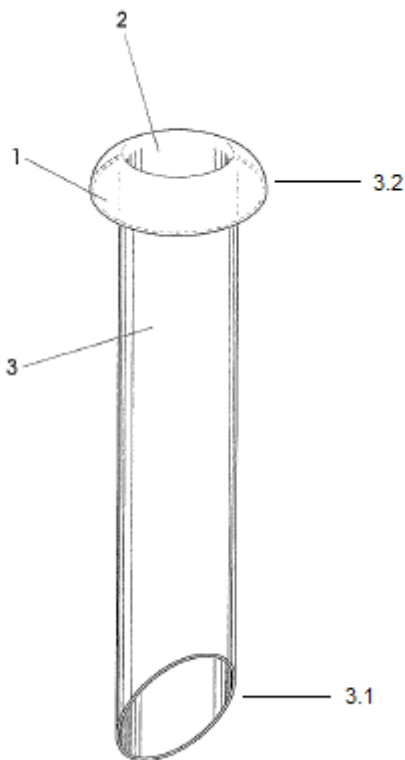
Utility Model granted in 2011 by the Spanish Patent and Trademark Office.

COLLABORATION SOUGHT

Licensing agreement with companies willing to manufacture and commercialize this technology.

PERCUTANEOUS ACCESS SHEATH FOR THE SURGICAL TREATMENT OF URINARY LITHIASIS

RELATED IMAGES



CONTACT

Dr. Juan Pablo Caballero Romeu
Urology Service
Hospital General Universitario de Alicante
Tel.: +34 687904095
E-mail: juanpablocaballero@gmail.com

Innovation Area
FISABIO
Avda. Catalunya, 21 46010 Valencia
Tel. +34 961926351
E-mail: innovación_fisabio@gva.es
Web: www.fisabio.es